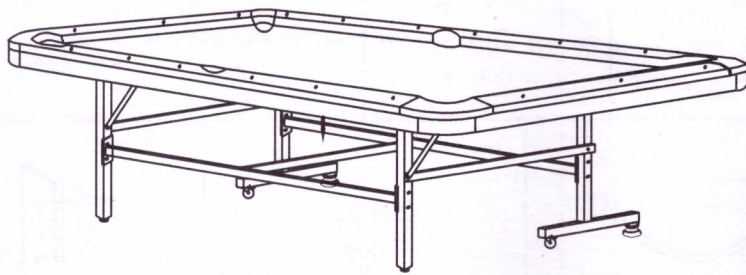


# 8FT POOL TABLE

## ASSEMBLY INSTRUCTIONS



### **ATTENTION:**

Assembly have finished, please do not move it.  
If you have to move, please break it up first.

### **IMPORTANT:**

Please read through the instruction book before  
attempting assembly to familiarize yourself with  
all part and assembly steps

P1

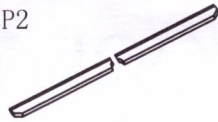
# PARTS IDENTIFIER

P1



TOP CORNER  
4pcs

P2



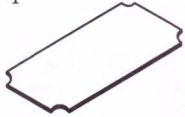
TOPRAIL (LONG)  
2pcs

P3



TOP RAIL (END)  
2pcs

P4



PLAYING SURFACE  
1pc

P5



APRON SIDE PANELS  
(SHORT)  
4pcs

P6



APRON END PANELS  
(LONG)  
2pcs

P7



APRON CORNER  
4pcs

P8



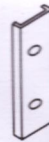
4pcs

P9



Drop bag  
6pcs

P10



CASTER  
4pcs

P11



WHEEL  
2pcs

P12



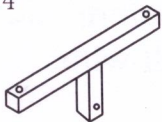
LEG LEVELER  
2pcs

P13



LEG LEVELER WASHERS  
2pcs

P14



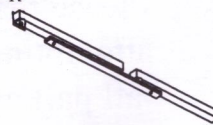
T type leg  
2pcs

P15-L



leg-L  
1SET

P15-R





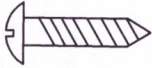
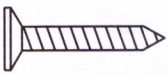


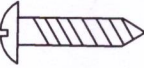
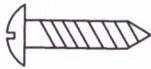



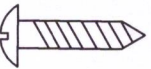
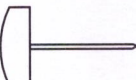


leg-R  
1SET

4

# PARTS IDENTIFIER

P2





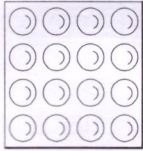

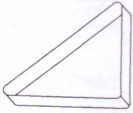


<p>P16</p>  <p>SHAFT 2pcs</p>	<p>P17</p>  <p>Play field support brace 3pcs</p>	<p>P18</p>  <p>LOCK 2pcs</p>
<p>P19</p>  <p>Support bar 1pc</p>	<p>#1</p>  <p>T4*15mm PHILLIPS SCREWS 4pcs</p>	<p>#2</p>  <p>F4*32mm PHILLIPS SCREWS 8pcs</p>
<p>#3</p>  <p>1/4"BLACK FLAT WASHERS 34pcs</p>	<p>#4</p>  <p>F4*38mm PHILLIPS SCREWS 24pcs</p>	<p>#5</p>  <p>T4*38mm PHILLIPS SCREWS 18pcs</p>
<p>#6</p>  <p>T4*15mm PHILLIPS SCREWS 42pcs</p>	<p>#7</p>  <p>M8*55mm BOLTS 12pcs</p>	<p>#8</p>  <p>M8 WASHERS 24pcs</p>
<p>#9</p>  <p>M8 NUT 12pcs</p>	<p>#10</p>  <p>T4*15mm PHILLIPS SCREWS 77pcs</p>	<p>#11</p>  <p>NAIL 12pcs</p>

2

P3

### ASSEMBLY INSTRUCTIONS

WARNING: TWO ADULTS NEEDED ASSEMBLE POOL TABLE

<p>#12</p>  <p>BALL BASKET 6pcs</p>	<p>#13</p>  <p>MIDDLE CORNER 2pcs</p>	<p>#14</p>  <p>WHITE JADE 18pcs</p>
<p>#15</p>  <p>STICK 8pcs</p>	<p>A1</p>  <p>BILLIARD BALL 1set</p>	<p>A2</p>  <p>CUE STICK 2pcs</p>
<p>A3</p>  <p>TRIANGLE 1pc</p>	<p>A4</p>  <p>CHALK 2pcs</p>	<p>A5</p>  <p>BRUSH 1pc</p>

ASSEMBLY INSTRUCTIONS

P4

WARNING: TWO ADULTS NEEDED ASSEMBLE POOL TABLE

FIG.1

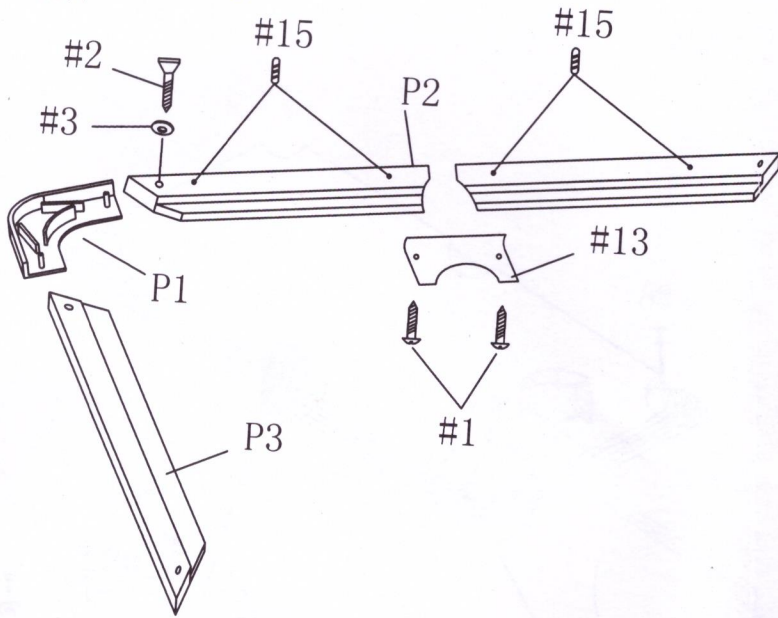
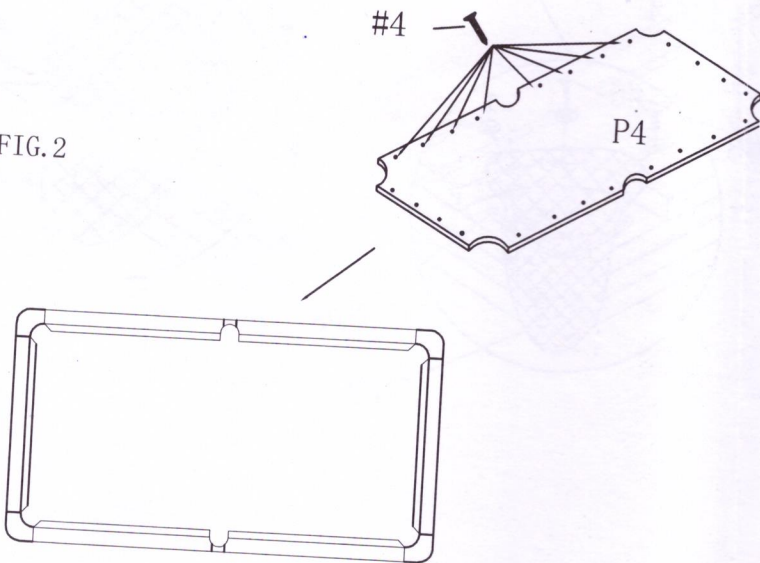


FIG.2



4

ASSEMBLY INSTRUCTIONS

WARNING: TWO ADULTS NEEDED ASSEMBLE POOL TABLE

FIG. 3

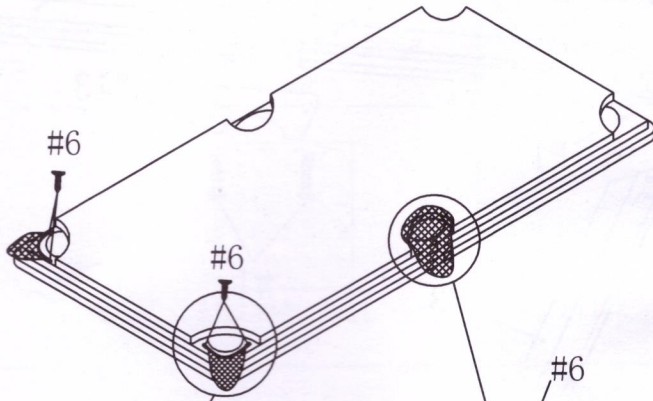
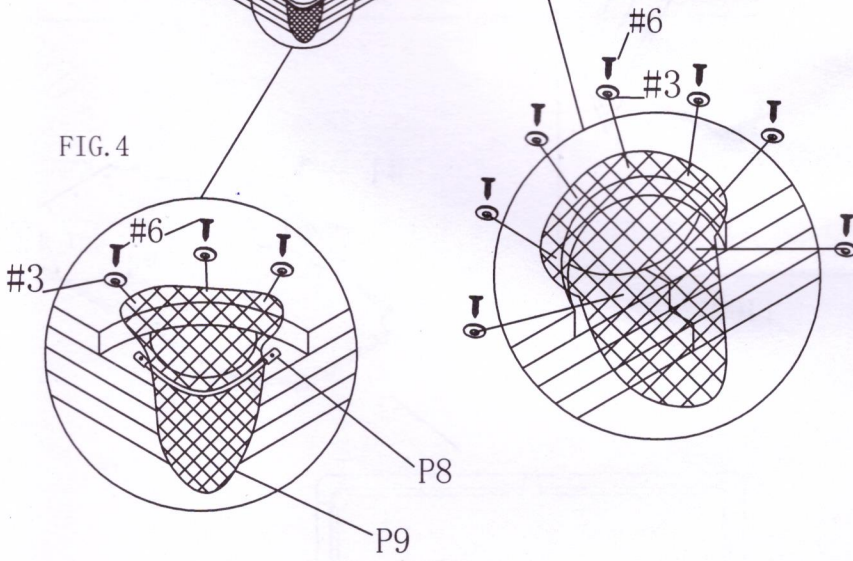
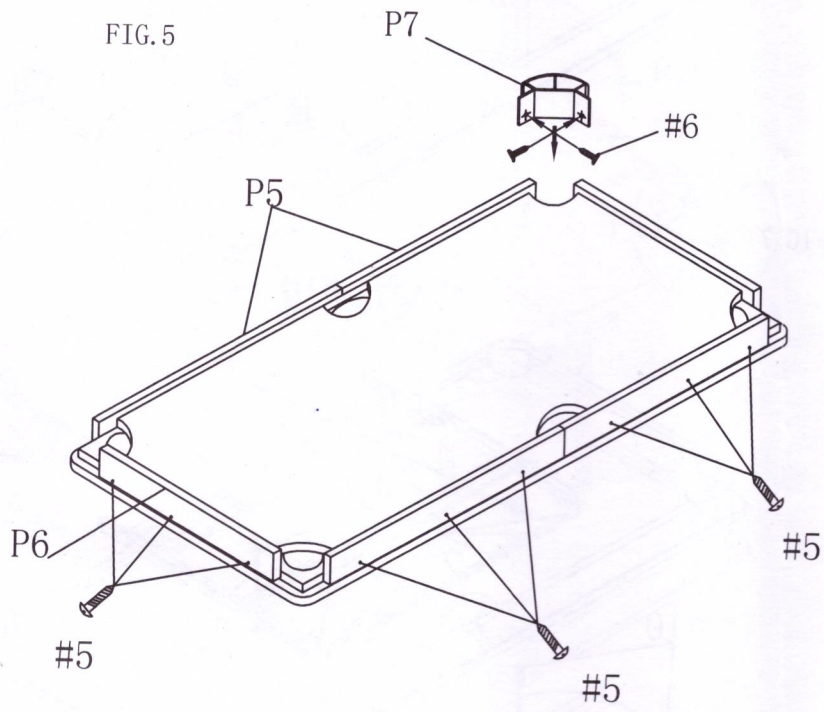


FIG. 4



5

WARNING: TWO ADULTS NEEDED ASSEMBLE POOL TABLE



ASSEMBLY INSTRUCTIONS

WARNING: TWO ADULTS NEEDED ASSEMBLE POOL TABLE

FIG. 6

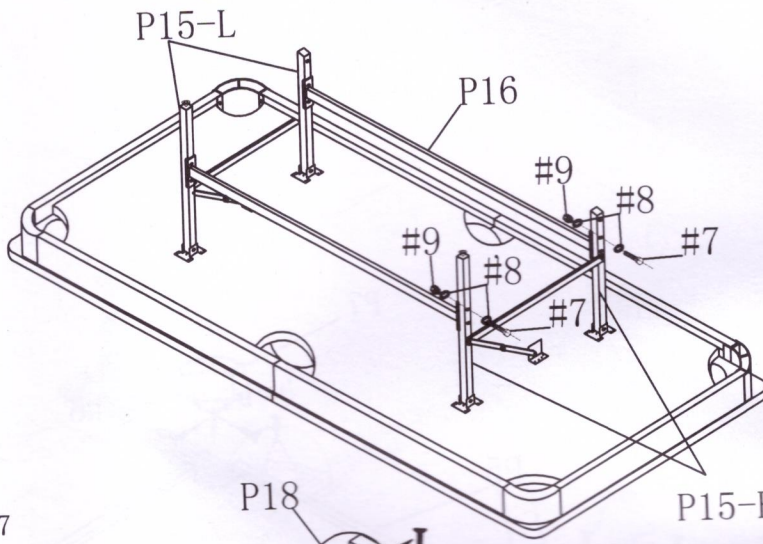
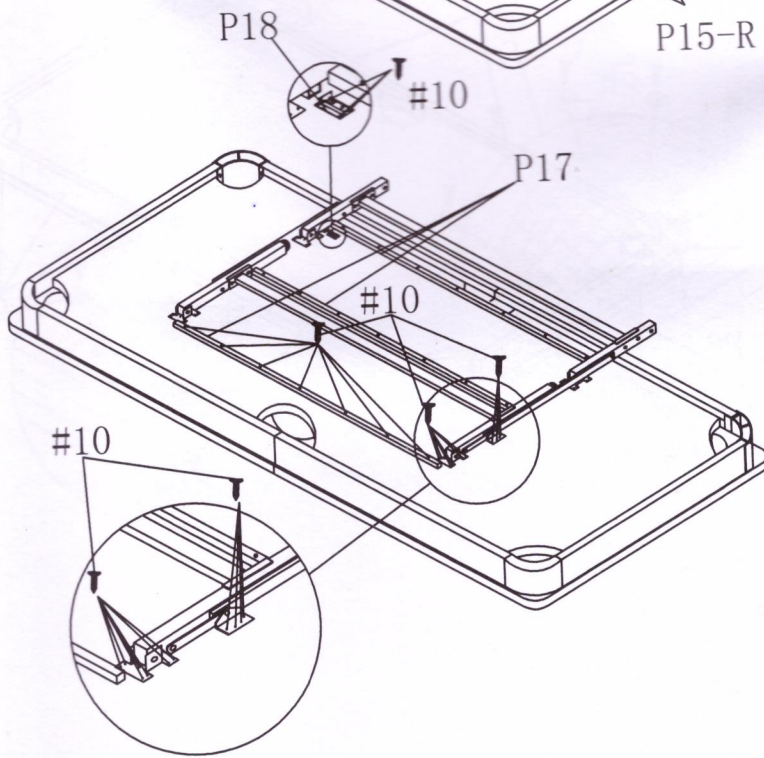


FIG. 7



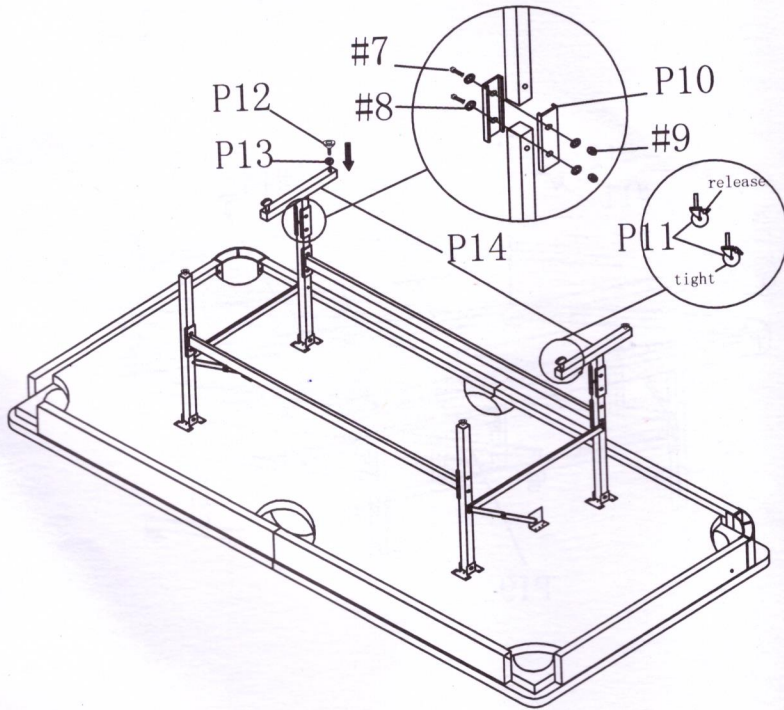
7



ASSEMBLY INSTRUCTIONS

WARNING: TWO ADULTS NEEDED ASSEMBLE POOL TABLE

FIG. 8

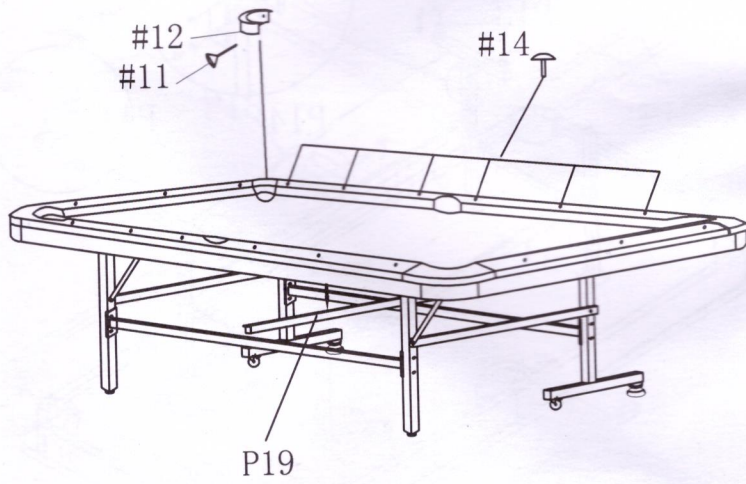


P9

ASSEMBLY INSTRUCTIONS

WARNING: TWO ADULTS NEEDED ASSEMBLE POOL TABLE

FIG.9



ASSEMBLY INSTRUCTIONS

P10

WARNING: TWO ADULTS NEEDED ASSEMBLE POOL TABLE

FIG. 10

